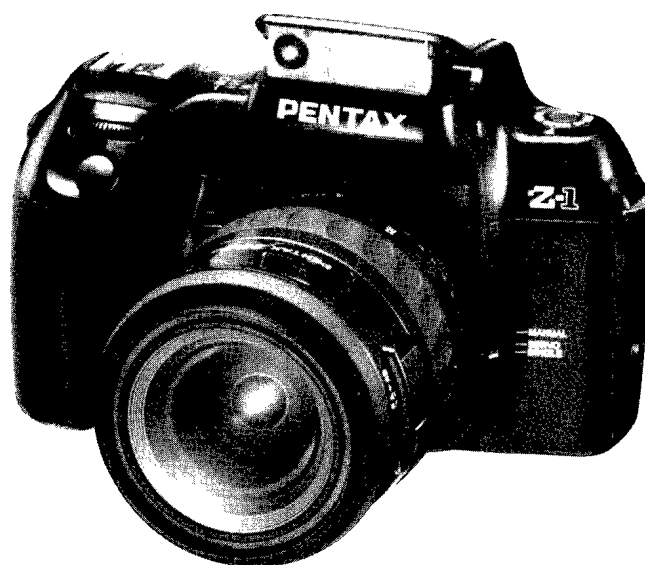


PENTAX®

Service Parts List

PENTAX Z-1



PRODUCT No.27030

Z-1

PRODUCT No.27031

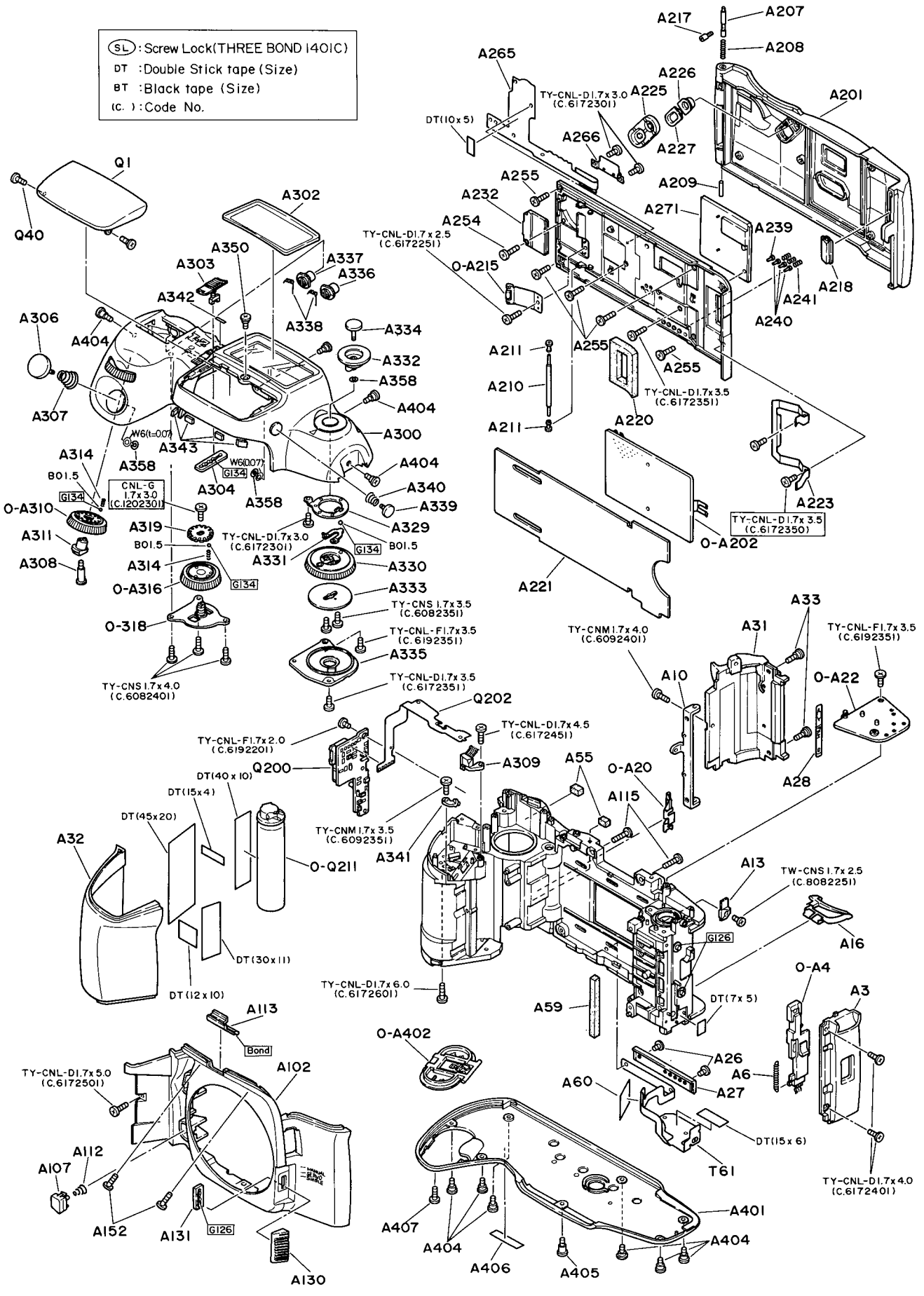
PZ-1

PRODUCT No.27032

Z-1 QUARTZ DATE

EXPLODED ILLUSTRATION

(SL) : Screw Lock (THREE BOND 1401C)
 DT : Double Stick tape (Size)
 BT : Black tape (Size)
 (c.) : Code No.

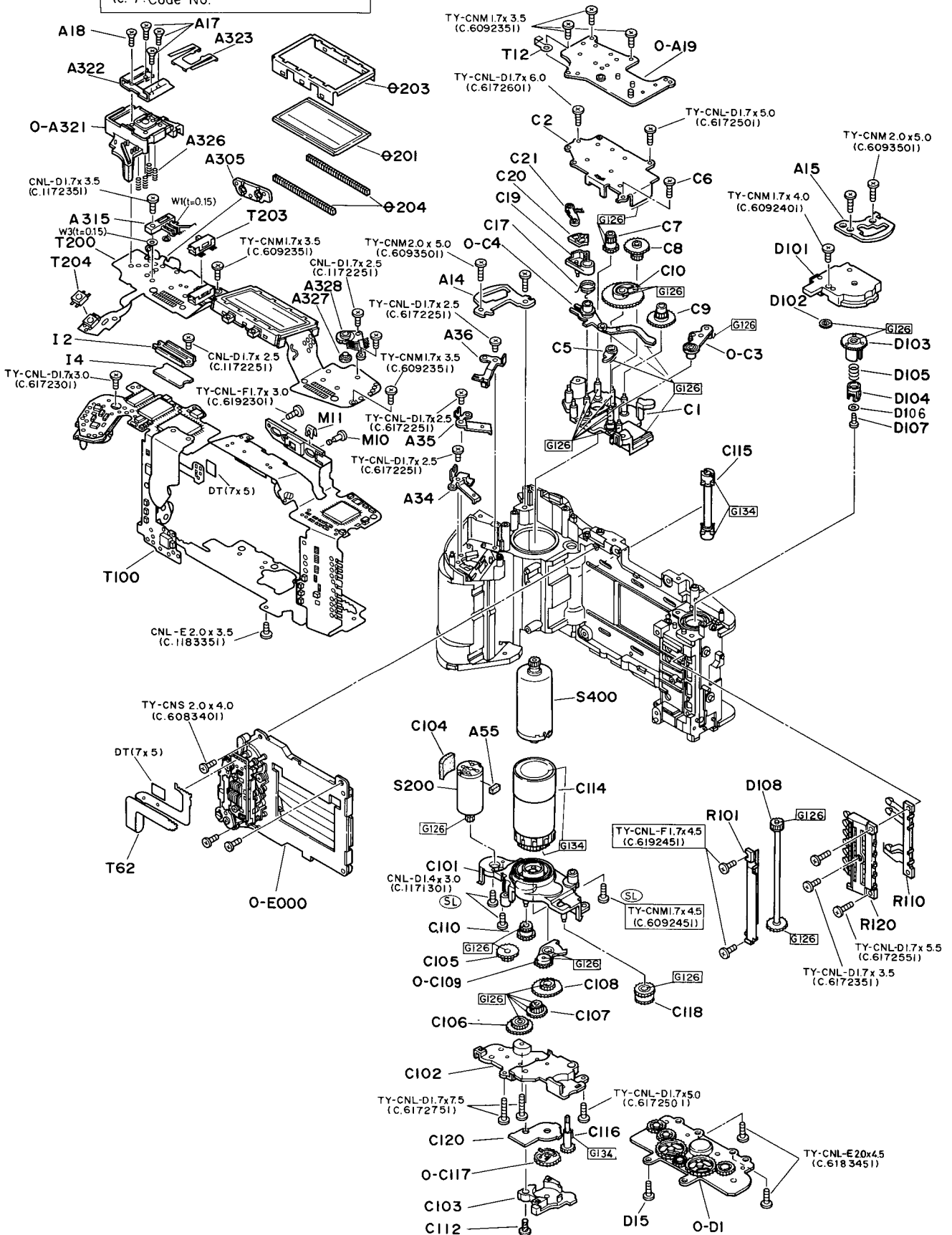


Product No.27030
PENTAX Z-1

Fig. 1

EXPLODED ILLUSTRATION

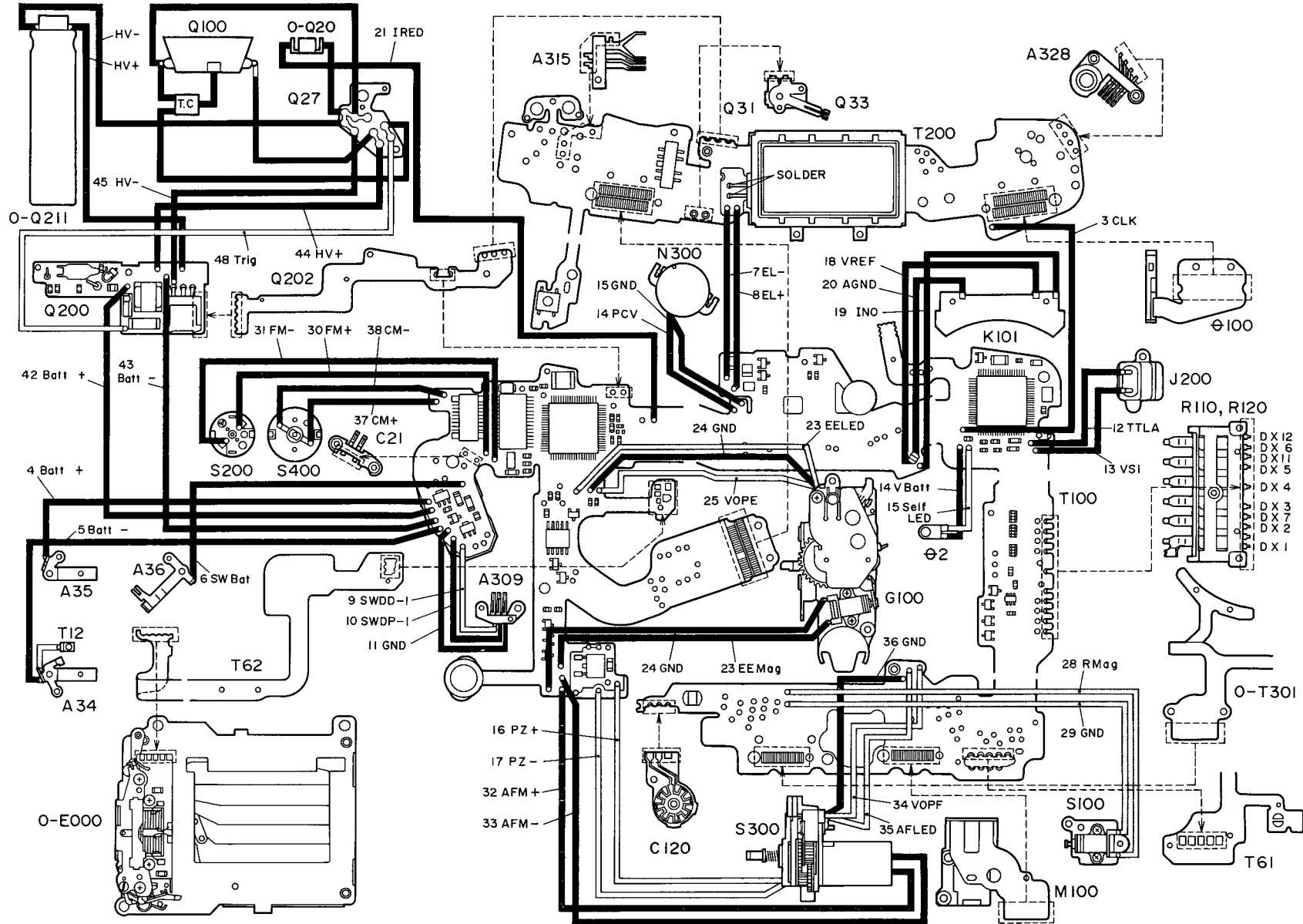
(SL) :Screw Lock(THREE BOND I40IC)
 DT :Double Stick tape (Size)
 BT :Black tape (Size)
 (c.) :Code No.



Product No.27030
PENTAX Z-1

Fig. 3

DISTRIBUTING WIRES



Product No.27030
PENTAX Z-1

Fig. 4

LIST OF SERVICE PARTS

Product No.27030

PENTAX Z-1

- Note: 1. The parts with numbers starting '0-' are assemblies.
 2. Only available parts are listed below.
 3. The standard parts with a square-mark are new in EXPLODED ILLUSTRATION.
 分解図の中で四角で囲ってある標準部品は新規の標準部品です。

Parts No.	Description	Quantity	Interchangeability
A3	Back cover key cover	1	
0-A4	Back cover key assy. (A4,A5)	1	
A6	Back cover key spring	1	
A10	Back cover shaft receptacle	1	
A13	Film cartridge guide	1	
A14	Strap hook, right	1	
A15	Strap hook, left	1	
A16	Film cartridge retainer spring	1	26900-A16
A17	Accessory shoe retainer screw A (A18+SL)	3	
A18	Accessory shoe retainer screw B	1	
0-A19	Accessory shoe base plate assy. (A19,A37,A38,A40x2)	1	
0-A20	Film retainer plate assy. (A20,A21)	1	
0-A22	Select SW base plate assy. (A22,A37,A38,A40x2)	1	

Parts No.	Description	Quantity	Interchangeability
A26	Data contact cover retainer screw	2	
A27	Data contact cover	1	
A28	Film position marker	1	26200-A28
A31	Side cover	1	
A32	Grip rubber	1	
A33	Side cover retainer screw	2	
A34	Battery contact piece A	1	
A35	Battery contact piece B	1	
A36	Battery switch	1	
A55	Spacer	3	26900-A30
A59	Shutter light seal	1	26300-A59
A60	FPC retainer tape	1	
A100	Front housing assy. (A101, A104, A105, A108~A111, A121, A122, A124~A126, A134, A135x2, A143, A145x5, A146x7, A147, A148, A170~A172, B35, B37x2, B40x2, I331, I332, I400, K101, K102, K106, K107, T301, T302, T311, T312, TW-CNL-D1.7x3.0x2, TW-CNL-D1.7x3.5x3, TW-CNL-G1.7x3.5, TY-CNL-D1.7x4.0x2, TY-CNL-E1.7x3.5, TY-CNL-G1.7x3.0, TZ-CNS2.0x3.5x5)	1	
A102	Front cover	1	
A103	Mirror housing retainer screw (= CNM2.0x3.5+SL)	2	25900-A103
A104	Mount ring	1	25900-A104
A105	Mount spring	1	25900-A105
A107	Mount lock button	1	

Parts No.	Description	Quantity	Interchangeability
0-A108	Mount lock guide plate assy. (A108,A109,A111)	1	
A110	Mount lock button spring	1	25000-A110
A112	Mount lock button spring B	1	
A113	Self-timer window	1	
A115	Main body retainer screw	2	
0-A121	Joint lever assy. (A121,A122)	1	26900-0-A121
0-A126	Joint lever plate assy. (A126,A124,A125,A134)	1	
A130	Focus mode lever	1	
A131	Click plate spring	1	
A135	Restitution spring	2	25000-A135
A143	Exterier tube	1	26900-A143
A145	Connector pin A	5	24500-A145
A146	Connector pin spring	7	26900-A146
A147	Connector pin C	1	26900-A147
A148	Connector pin B	1	24500-A148
A152	Front cover retainer screw	2	26400-A119
A170	Pre-view button	1	
A171	Pre-view connecting lever	1	
A172	Pre-view button spring	1	
A201	Back cover	1	
0-A202	Pressure plate assy. (A202,A203,A214x2)	1	
A207	Hinge shaft B	1	25900-A207

Parts No.	Description	Quantity	Interchangeability
A208	Hinge shaft spring	1	25900-A208
A209	Hinge shaft A	1	25900-A209
A210	Roller shaft	1	
A211	Roller collar	2	
0-A215	Film roller assy. (A215,A216)	1	
A217	Hinge shaft B retainer screw	1	25900-A217
A218	Film cartridge window	1	
A220	Film cartridge window light seal	1	
A221	Pressure plate cover	1	26900-A221
A223	Film cartridge retainer spring	1	
A225	Switch	1	
A226	Metering mode switch button	1	
A227	Exposure compensation button	1	
A232	Cover	1	
A238	Back cover main plate	1	
A239	Dummy pin	1	
A240	Connecting pin	3	25201-A224
A241	Connecting pin spring	3	25201-A225
A254	Cover retainer screw	1	
A255	Main plate retainer screw	5	
A265	Back cover FPC	1	
A266	Connecting pin retainer plate	1	
A271	Dummy module	1	

Parts No.	Description	Quantity	Interchangeability
A300	Top cover assy. (A301~A304, A306~A308, A310~A313, A314x2, A316~A320, A329~A337, A338x2, A339, A340, A342, A343x4, A358x3, TY-CNL-D1.7x3.0, TY-CNL-D1.7x3.5, TY-CNL-F1.7x3.5, TY-CNS1.7x3.5x2, TY-CNS1.7x4.0x3, CNL-G1.7x3.5, B01.5x3, W6 t=0.07x2)	1	
A301	Top cover	1	
A302	LCD window	1	
A303	Main SW knob	1	
A304	Main SW click plate	1	25300-A342
A305	ML switch	1	
A306	Release button	1	
A307	Release button spring	1	
A308	TV dial shaft screw	1	
A309	TV dial contact piece	1	
0-A310	TV dial assy. (A310, A312, A313)	1	
A311	TV dial shaft	1	
A314	TV dial click spring	2	
A315	AV dial contact piece	1	
0-A316	AV dial assy. (A316, A320)	1	
0-A318	AV dial plate assy. (A318, A317)	1	
A319	AV dial click plate	1	
0-A321	Accessory shoe base assy. (A321, A324, A325 x3)	1	

Parts No.	Description	Quantity	Interchangeability
A322	Accessory shoe	1	26300-A322
A323	Accessory shoe spring	1	26300-A323
A326	Accessory shoe contact spring	4	
A327	Set switch	1	
A328	Select dial contact piece	1	
A329	Select dial click plate	1	
A330	Select dial	1	
A331	Select dial click spring	1	
A332	Select dial indication plate	1	
A333	Select dial cord plate	1	
A334	Set button	1	
A335	Dust cover	1	
A336	IF button	1	
A337	ML button	1	
A338	IF button spring	2	
A339	Flash button	1	
A340	Flash button spring	1	
A341	FPC retainer plate	1	
A342	Main SW indication sticker	1	
A343	Top cover tape	4	
A350	Top cover retainer screw	1	
A358	Retainer ring	3	
A401	Bottom cover	1	

Parts No.	Description	Quantity	Interchangeability
0-A402	Battery cover assy. (A402,A403)	1	
A404	Bottom cover retainer screw A	10	
A405	Bottom cover retainer screw B	1	
A406	Serial number plate	1	25000-A414
A407	Bottom cover retainer screw C	1	
0-B000	Mirror housing assy. (B1~B8,B10~B14,B16,B18,B19, B21~B23,B31~B33,B36,B38,B42,B43, B47,B51~B57,B58x2,B59~B62,B64, B66,B69,B70,L1,L6,M102x3,S100, CNS1.7x2.0,CNL-D1.4x2.5x2, CNL-D1.7x1.4,CNL-D1.7x1.6)	1	
0-B2	Mech. plate assy., left (B2,B4,B6,B7,B8,B13)	1	
0-B3	Mirror seat receptacle, right (B3,B66)	1	
0-B10	Charge lever assy. (B10,B5,B11,B12,B16,B42)	1	
B14	Charge lever retainer screw (=CNL-D1.4x3.0+SL)	1	
B18	Shutter release lever	1	
B19	Shutter release lever screw	1	
B21	Diaphragm actuating spring	1	
B22	Hook lever restitution spring	1	
B23	Mirror actuating spring	1	
B31	Light seal plate, bottom	1	
B32	Light seal plate, right	1	
B33	Light seal plate, left	1	

Parts No.	Description	Quantity	Interchangeability
B35	Light seal frame	1	
B36	Light seal cover	1	
B37	Mirror shock absorber	2	
B40	F-volume retainer screw	2	
B43	Mirror actuating pin collar	1	23903-B51-00A
B47	Flip-up spring silencer	1	26300-B47
B51	Mirror seat receptacle, left	1	
0-B52	Mirror seat assy. (B52, B38, B53~B56, B64, B69, B70, L1, L6)	1	
B58	Mirror seat receptacle	2	26900-B58
B59	Seat receptacle retainer plate	1	26900-B59
B60	Receptacle retainer screw	1	
B61	1st mirror restitution spring	1	
B62	2nd mirror actuating spring	1	26900-B62-01
B65	Spacer	1	
B71	Lead wire holder	1	
C1	Charge mech. plate A	1	
C2	Charge mech, plate B	1	
0-C3	Shutter charge lever assy. (C3, C11, C12, C18, C22, C23, W1t = 0.2)	1	
0-C4	Mirror charge lever assy. (C4, C13~C16)	1	
C5	Diaphragm control block reset lever	1	
C6	Charge mech. plate retainer screw (= CNL-D1.7x4.5 + SL)	1	

Parts No.	Description	Quantity	Interchangeability
C7	1st reduction gear	1	
C8	2nd reduction gear	1	
C9	3rd reduction gear	1	
C10	Cam gear	1	
C17	Restitution spring	1	
C19	Wind-on completion SW holder	1	
C20	Wind-on completion SW board	1	
C21	Wind-on completion SW	1	
C101	Wind-on mech. plate A	1	
C102	Wind-on mech. plate B	1	
C103	Film pulse counter cover	1	
C104	Motor spacer	1	
C105	1st reduction gear	1	
C106	2nd reduction gear	1	
C107	3rd reduction gear	1	
C108	4th reduction gear	1	
0-C109	Planet gear assy. (C109,C111,C112,C113,W13,W54,W83)	1	
C110	5th reduction gear	1	
C112	Film pulse counter cover screw	1	
C114	Spool	1	
C115	Sprocket	1	
C116	Sprocket gear	1	
0-C117	Film pulse counter gear assy. (C117,C119)	1	

Parts No.	Description	Quantity	Interchangeability
C118	Rewind connecting gear	1	
C120	Film pulse counter board	1	
0-D1	Rewind bottom mech. plate assy. (D1, D2x2, D3x2, D4x2, D5x6, D8x2, D9x2, D10, D11x4.)	1	
D15	Bottom mech. plate retainer screw (= CNL-E2.0x3.5+SL)	1	
D101	Rewind mech. plate, top	1	
D102	Idle gear	1	
D103	Rewind fork gear	1	26900-D103
D104	Rewind fork	1	25900-D14-01
D105	Rewind fork spring	1	26900-D105
D107	Rewind Fork retainer screw	1	25900-D21
D108	Connecting rod gear	1	
0-E000	Shutter block	1	
G100	Diaphragm control block	1	
I1	Flex board retainer plate A	2	26900-I1
I2	Flex board retainer plate C	2	
I3	Flex board retainer rubber A	2	26900-I3
I4	Flex board retainer rubber C	2	
0-I331	Focus mode SW assy. (I331, I332)	1	
J200	TTL flash photo sensor (J201, J202, J203)	1	26900-J200
K101	f-Volume	1	
0-K102	Diaphragm coupler ring assy. (K102, K106)	1	26900-0-K102

Parts No.	Description	Quantity	Interchangeability
K107	Shield plate	1	
L2	Fresnel lens	1	
L3	Penta prism	1	25900-L3
L4	Eyepiece front lens	1	
L5	Eyepiece rear lens	1	
L7	Cover glass	1	25905-L7
M1	Prism seat	1	
M2	Focus adjusting nut	3	25900-M2
M3	Finder mask	1	
M4	Fresnel lens holder	1	
M5	Holder retainer plate	1	
M6	Display prism	1	
M7	Condenser lens	1	
M8	Prism protection sheet	2	24500-M8
M9	Positioning pin	1	26900-M9
M10	Photo sensor adjusting pin	1	
M11	Photo sensor holder	1	
M15	Dust prevention seal	1	25000-M31
M26	Prism retainer screw	2	25300-M26
M100	CCD block	1	
M103	CCD block adjusting screw	3	26900-M103
M104	CCD block spring	3	25900-M104
0-M301	Eyepiece assy. (M301~M308, M309x2, M310x2, TY-CN M1.7x3.5x2)	1	

Parts No.	Description	Quantity	Interchangeability
M301	Eyepiece frame	1	
M302	Eyepiece front lens frame	1	
M303	Eyepiece front lens cover	1	
M304	Eyepiece rear lens frame	1	
M305	Eyepiece rear lens cover	1	
M306	Diopter adjusting lever	1	
0-M307	Cam plate assy. (M307, M308, M309x2)	1	
M310	Diopter actuating pin	2	
N300	Piezo-electric buzzer	1	
θ2	Self-timer LED	1	
θ100	Finder display block	1	
θ201	LCD	1	
θ203	LCD retainer	1	
θ204	LCD connector	2	
Q1	Flash cover	1	
Q2	Flash frame	1	
Q3	Flash base	1	
Q4	Flash release lever	1	
Q5	Flash release lever spring	1	
0-Q6	Flash arm assy. (Q6, Q16x2)	1	
Q9	Flash pop-up spring	1	
Q10	Flash hook lever	1	
Q11	Flash hook lever shaft	1	25600-Q7

Parts No.	Description	Quantity	Interchangeability
Q12	Flash hook spring	1	
Q13	Flash SW pin	1	
0-Q20	IREd assy, (Q20, Q3)	1	
Q21	Diffuser	1	
Q27	Flash relay P.C. board	1	
Q31	Flash SW fixed contact piece	1	
Q32	Insulation tape	1	
Q33	Flash SW moving contact piece	1	
Q40	Flash cover retainer screw	2	
Q100	Flash assy.	1	
Q200	Flash P.C. board	1	
0-Q211	Main capacitor (Q211, Q203, Q207)	1	
R101	DX contact cover	1	
R110	DX contact piece A	1	
R120	DX contact piece B	1	
S100	Release magnet assy. (S101~S105, S108, S110, S111, CNS1.7x1.8x2, LW10)	1	
S200	Film transport motor (S200, S201)	1	
S300	AF motor (S301~S303, S305~S308, S311, S312, S314~S318, S330~S332, S335, S337, S350, S361x2, S362x2, S363, S364, CNS1.7x2.5x2, TY-CNL-D1.4x6.5, TY-CNL-D1.7x9.5, LW10, W2, W6)	1	
S400	Charge motor(S400, S401)	1	

Parts No.	Description	Quantity	Interchangeability
T12	Lug plate	1	25900-T12
T61	Data FPC	1	
T62	Shutter FPC	1	
T100	Main P.C. board	1	
T200	LCD P.C. board	1	
T203	Main SW	1	
T204	Release SW	1	
0-T301	Mount P.C. board (T301, I400, T302, T311, T312)	1	

LIST OF SERVICE PARTS

Product No.27031

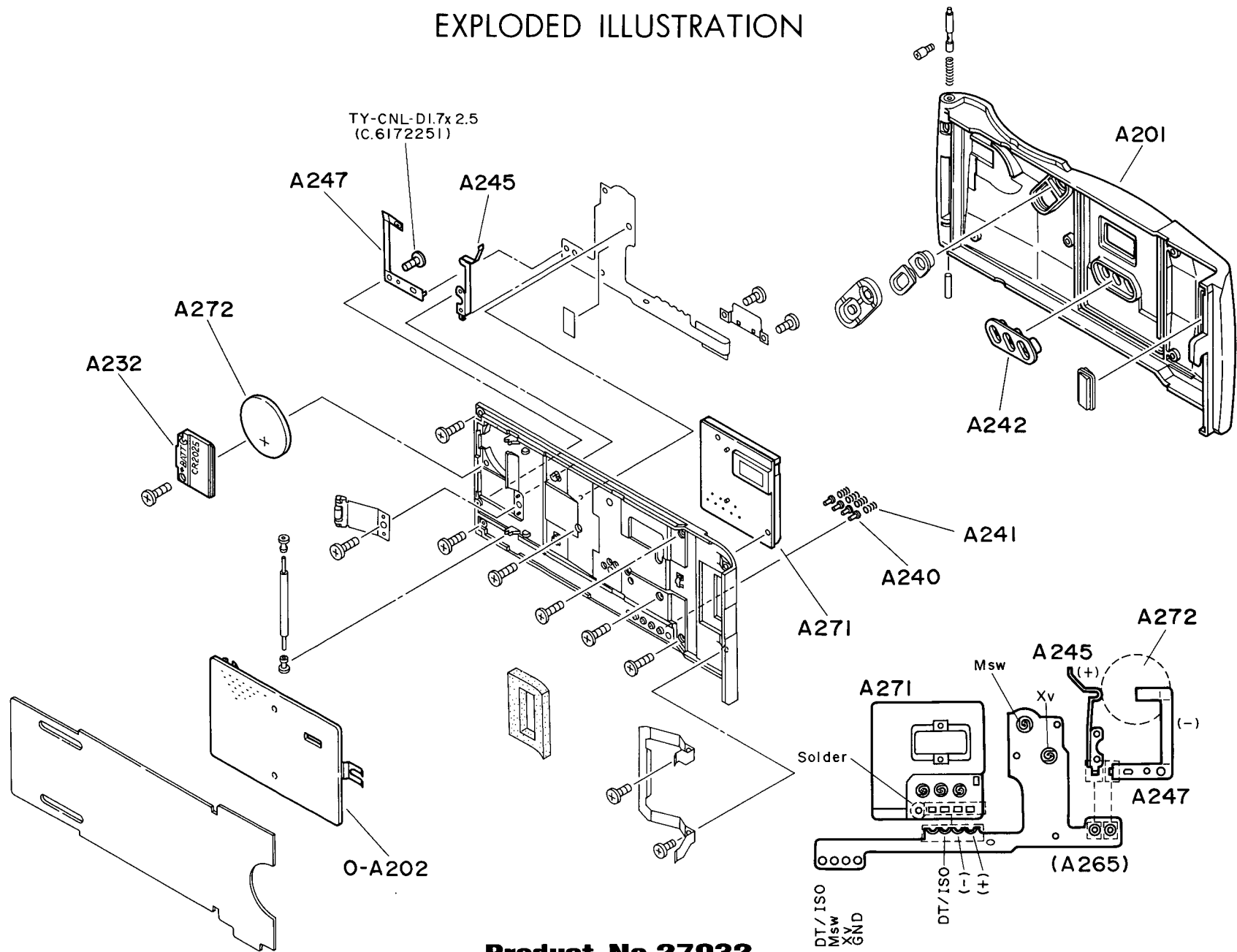
PENTAX PZ-1

Note: 1. The parts not listed below are interchangeable with those of Z-1 (Product No. 27030).
For other parts, refer to LIST OF SERVICE PARTS of Z-1 (27030).

1. 下記の部品以外は、Z-1 (製品番号27030)と共通です。
他の部品は、Z-1 (27030)のパーツリストを参照して下さい。
-

Parts No.	Description	Quantity	Interchangeability
A300	Top cover assy. (A301~A304, A306~A308, A310~A313, A314x2, A316~A320, A329~A337, A338x2, A339, A340, A342, A343x4, A358x3, TY-CNL-D1.7x3.0, TY-CNL-D1.7x3.5, TY-CNL-F1.7x3.5, TY-CNS1.7x3.5x2, TY-CNS1.7x4.0x3, CNL-G1.7x3.5, B01.5x3)	1	
A301	Top cover	1	

EXPLODED ILLUSTRATION



Product No.27032
PENTAX Z-1 QUARTZ
 DATE

Fig. 1

LIST OF SERVICE PARTS

Product No.27032

PENTAX  QUARTZ
DATE

Note: 1. The parts not listed below are interchangeable with those of Z-1(Product No. 27030).
For other parts, refer to LIST OF SERVICE PARTS of Z-1(27030).

1. 下記の部品以外は、Z-1(製品番号27030)と共通です。
他の部品は、Z-1(27030)のパーツリストを参照して下さい。

Parts No.	Description	Quantity	Interchangeability
A201	Back cover	1	
0-A202	Pressure plate assy. (A202,A203,A214 x2)	1	
A232	Battery cover	1	
A242	Function button	1	
A245	Positive contact piece	1	
A247	Common contact piece	1	
A271	Date module	1	26302-A250
A272	Battery for date	1	25201-T401